

NEW



BeeWrap+

Advanced Semi-Automatic
Mobile Pallet Wrapper



SEMI-AUTOMATIC MOBILE WRAPPER ROBOT

100%
MADE in ITALY

BeeWrap+

BeeWrap+ is a mobile wrapping machine used for palletizing goods with stretch film. It is suitable for heavy weight items, unusual shapes, and loads with large dimensions. It is equipped with a digital control panel that allows the user, in an easy and functional way, to alter various parameters and set-up customized wrapping cycle programs.

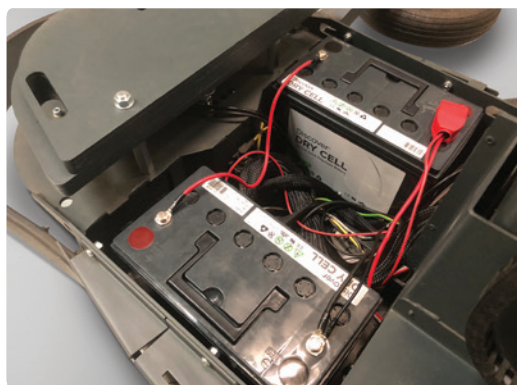
With sleek design modifications the newly upgraded features the Beewrap+ is also equipped with new AGM dry battery technology.

This guarantees a higher working autonomy (up to 400 cycles* per charge) and enhances safety within the machine!

KEY FEATURES

- » **Energy saving** – Automatic shutdown of the machine after 10 minutes of inactivity
- » **Safety First** – Thanks to the new AGM dry battery technology there is no danger related to battery maintenance and acid leaks
- » **Extensive battery duration** – Up to 400 cycles* with each battery charge
- » **Easier to transport** – Thanks to the AGM technology, batteries are not subject to any transport restrictions
- » **Extensive safety** – BeeWrap incorporates several safety features as standard (such as bumper, light and beeper indicator)
- » **No film waste** – with motorized Pre-Stretch system & independent tension control
- » **Increased production capacity** – Thanks to customized settings
- » **Versatile use** – Suitable for very large and round loads
- » **Flexibility** – Machine is easily moved to various locations
- » **Modular system** – Meeting your individual needs
- » **Easy-to-use** – Due to the simple control concept
- » **CE compliant** – Engineered and produced in Italy according to EU safety standards
- » **Customizable** – Film carriage with clutch (mechanical or electromagnetic) or powered prestretch (240%)

(* see technical data)



OPTIONS

- Photocell for black film or colored products
- Remote control
- Film cutting system (on LP carriage only)
- Double tracing wheel
- Non-marking wheels
- Wheels for abrasive floor

Customize your **BeeWrap** with the most suitable carriage for your loads!



M - Mechanical brake



FM - Electromagnetic brake



LP - Powered pre-stretch 240%
(200% - kit available as option)



Carriage for net/mesh



Operation indicator light and beeper for a safer work condition.

Docs pocket to have everything is needed

Ergonomic, intuitive and easy to use control panel

New selector to restart the stand-by status



Flexibility: rudder for manual moving

Adjustable height tracing wheel



Machine dimensions

	M/FM Carriages (mm)	LP Carriage (mm)
W	1027	1029
H	1094	1147
2100/2600 column		
L	2310/2810	2310/2810
Weight	316/355	335/380

	M/FM Carriages 2100/2600 column (mm)	LP Carriage 2100/2600 column (mm)
H1	2410/2910	2410/2910
H2	65	65
W1	1255	1255
W2	733	733
L1	1482	1547
L2	1262	1262

Technical features

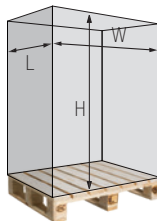
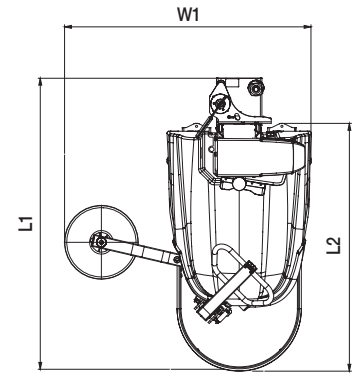
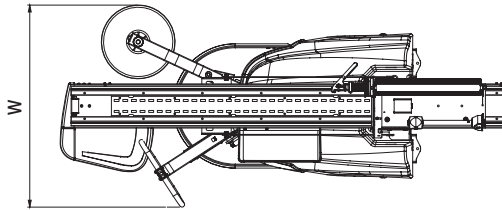
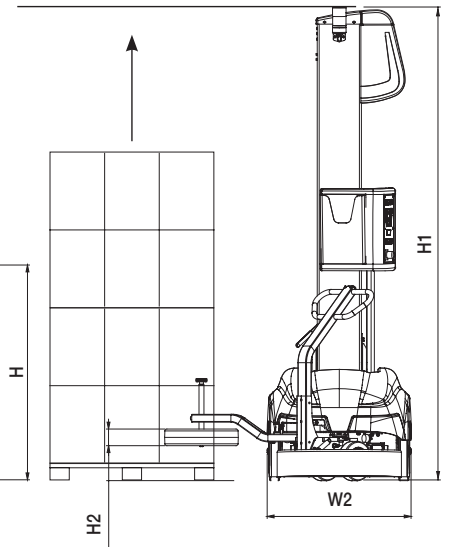
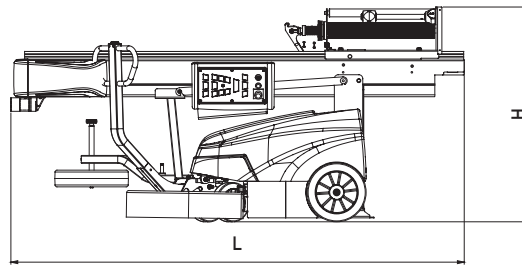
Nr. of pallets for single batteries charge	400*
Rotation speed (m/min.)	50min. / 80max
Up & Down carriage speed (m/min.)	1min. / 5max
Power supply (V)	100 Vac ÷ 240 Vac
Installed power (kW)	0,35 Kw
AGM Batteries	2 x 12V 87 Ah (C5)

Min/Max loading sizes	Min.	Max
L (mm)	500	***
W (mm)	400	***
H (mm)	600	2100/2600
Weight (Kg)	45**	∞

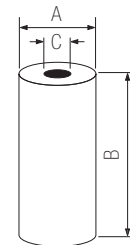
 **180**

 **225**

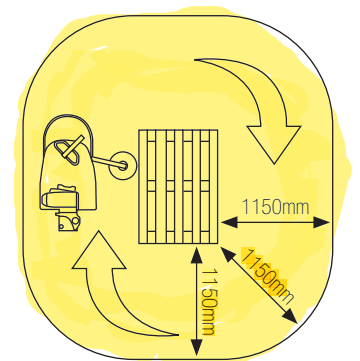
 **132(L) x107(w) x155(H) cm**



Film roll dimensions	mm
A	250
B	500
C	76
Thickness (µm)	17/23



- * Test conditions:
Standard Column 2100mm
AGM acid batteries
Pallet dimensions mm 800 x 1200 x 1500 (h),
up & down cycle, 2 top wraps & 2 bottom wraps, film tension 10daN.
- ** With film tension of 6daN applied.
- *** Bulky load can be wrapped up to a total perimeter of 26 mt in standard configuration.



As a part of our policy of continuous improvement, we reserve the right to alter design and specifications without prior notice. This brochure is for descriptive purpose only. Some of the items pictured in this brochure are optional and not standard equipment.



SIAT Spa

Via Puecher 22, 22078 Turate - Como
www.siat.com

 100% 
MADE in ITALY

SIAT AND MAILLIS GROUP

SIAT is the famous Italian Brand of strapping hand tools, semi-auto wrappers and case handling machines and proudly part of Maillis Group. Operating 5 production units around the

world and employing over 1,200 qualified staff, Maillis provides you with reliable system solutions incorporating machines, consumables and services to face your everyday challenges across different industries.

SIAT S.p.A is recognised worldwide as a top-class machine manufacturer for secondary packaging and produces more than 17,000 machines per year, and has done since 1970. Our product range includes semi-automatic as well as fully automatic machines like Case Sealers and Case Erectors, Stretch Wrappers, Strapping Tools / Machines, Flexographic Printing Machines and Tape Dispensers. The company is present in more than 100 countries and is constantly investing worldwide to meet customers actual and future demands.