

TECHNICAL DATA SHEET

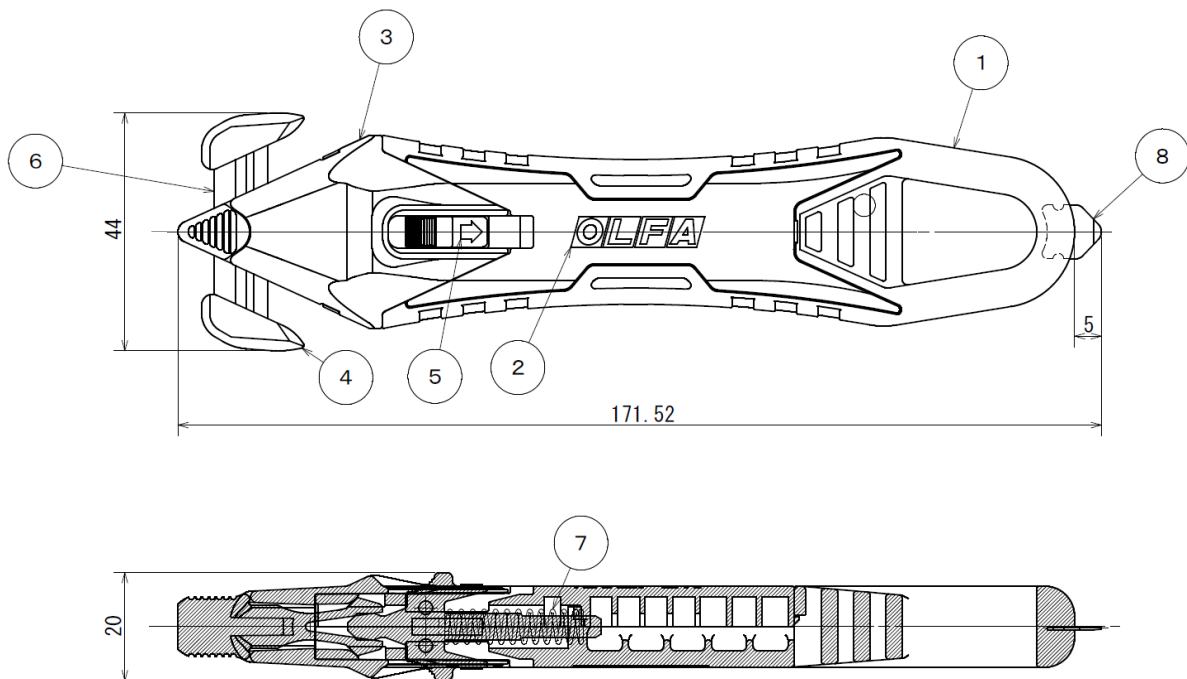


OLFA CORPORATION
 Higashi-Nakamoto 2-11-8,
 Higashinari-Ku, Osaka 537-0021, JAPAN
 TEL: 06-6972-8106 FAX: 06-6972-8119

● Specifications

Model name	SK-16		
Measurements	Length: 171.50 mm	x Width: 44.00 mm	x Thickness: 20.00 mm
(Inch conversion)	Length: 6.75 "	x Width: 1.73 "	x Thickness: 0.79 "
Weight	54 grams (g)		
(Pound conversion)	0.119 pounds (lb)		
Component parts and raw materials	① Basement of handle	:	ABS resin (Reinforced with glass-fiber)
	② X design portion	:	ABS resin
	③ Header portion	:	Polyacetal resin (POM) (Reinforced with glass-fiber)
	④ Blade portion	:	Nylon resin (PA) (Reinforced with glass-fiber)
	⑤ Lock lever	:	Polyacetal resin (POM)
	⑥ SK-16 Blade	:	Stainless steel (Thickness: 0.7mm)
	⑦ Spring	:	Stainless steel (JIS No: SUS304)
	⑧ Tape Slitter	:	Stainless steel (JIS No: SUS301, Thickness: 0.6mm)
Remarks	Applicable blades: SKB-16		

Body



TECHNICAL DATA SHEET

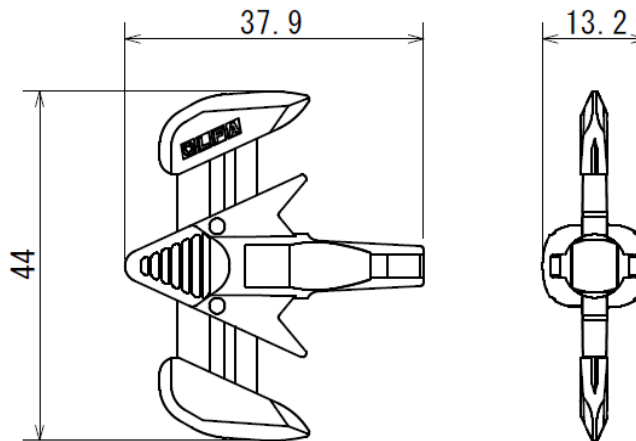


OLFA CORPORATION
 Higashi-Nakamoto 2-11-8,
 Higashinari-Ku, Osaka 537-0021, JAPAN
 TEL: 06-6972-8106 FAX: 06-6972-8119

● Specifications

Model name	SK-16		
Measurements	Length: 171.50 mm	x Width: 44.00 mm	x Thickness 20.00 mm
(Inch conversion)	Length: 6.75 "	x Width: 1.73 "	x Thickness 0.79 "
Weight	54 grams (g)		
(Pound conversion)	0.119 pounds (lb)		
Component parts and raw materials	① Basement of handle	:	ABS resin (Reinforced with glass-fiber)
	② X design portion	:	ABS resin
	③ Header portion	:	Polyacetal resin (POM) (Reinforced with glass-fiber)
	④ Blade portion	:	Nylon resin (PA) (Reinforced with glass-fiber)
	⑤ Lock lever	:	Polyacetal resin (POM)
	⑥ SK-16 Blade	:	Stainless steel (Thickness: 0.7mm)
	⑦ Spring	:	Stainless steel (JIS No: SUS304)
	⑧ Tape Slitter	:	Stainless steel (JIS No: SUS301, Thickness: 0.6mm)
Remarks	Applicable blades: SKB-16		

Blade «Disposable blade integrated with center brace/side covers»



- The content is based on the information as of the date indicated on the document, but may be subject to change without prior notice.
- The dimensions are nominal sizes without tolerances.
- This technical data sheet is valid until further notice.
- Copy or reproduction in any form without OLFA's written consent is prohibited.

Date of Issue: 01 June 2021
 OLFA CORPORATION, Product Engineering Dept.

Approved	Confirmed	Created